

POSSIBLE COMBINATIONS OF

th44

AUTOMATIC HEAT-SEALING MACHINE

124cm [48.81in]
139cm [54.7in]



BC41M <

PRINTING AND PLACING
BARCODE STICKER
ON THE PLASTIC BAG



TH44 <

HEAT SEALING
OF THE PLASTIC BAG
WHICH CONTAINS
THE FOLDED GARMENT



PV40 <

PACKAGING
OF FOLDED GARMENT
INSIDE A PLASTIC BAG



LD70 <

PLACEMENT
OF PRE-PRINTED LABEL
ON FOLDED GARMENT



STP1000 <

GARMENT'S FOLDING MACHINE

838.5cm [330in]

124cm [48.81in]
139cm [54.7in]



691.5cm [272.2in]

TH44M <

HEAT SEALING OF THE PLASTIC BAG
WHICH CONTAINS
THE FOLDED GARMENT

PV40 <

PACKAGING
OF FOLDED GARMENT
INSIDE A PLASTIC BAG

LD70 <

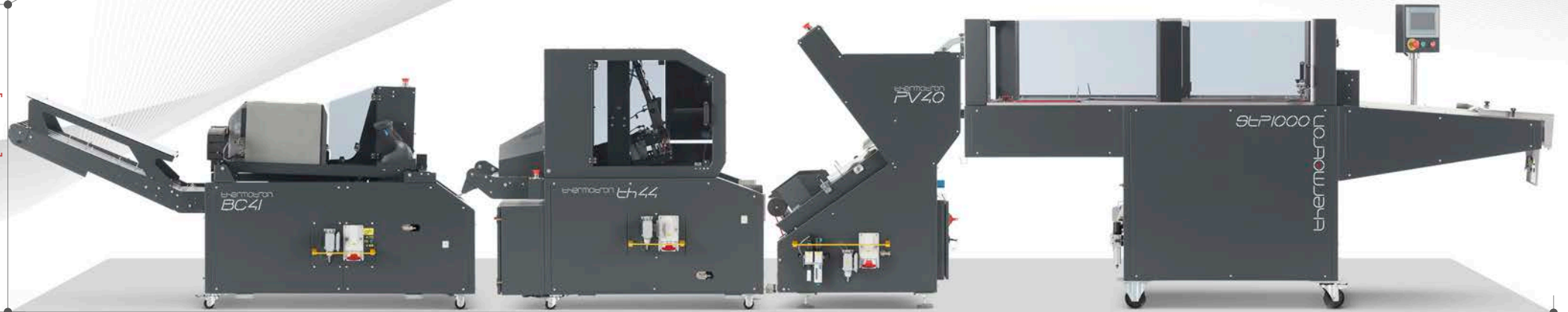
PLACEMENT
OF PRE-PRINTED LABEL
ON FOLDED GARMENT

STP1000 <

GARMENT'S FOLDING MACHINE

124cm [48.81in]

139cm [54.7in]



718.5cm [283in]

BC41M <

PRINTING AND PLACING
BARCODE STICKER
ON THE PLASTIC BAG

TH44 <

HEAT SEALING
OF THE PLASTIC BAG
WHICH CONTAINS
THE FOLDED GARMENT

PV40 <

PACKAGING
OF FOLDED GARMENT
INSIDE A PLASTIC BAG

STP1000 <

GARMENT'S FOLDING MACHINE

124cm [48.81in]
139cm [54.7in]



TH44M <

HEAT SEALING OF THE PLASTIC BAG
WHICH CONTAINS
THE FOLDED GARMENT



PV40 <

PACKAGING
OF FOLDED GARMENT
INSIDE A PLASTIC BAG



STP1000 <

GARMENT'S FOLDING MACHINE

108cm [42.5in]
139cm [54.7in]



575cm [226.4in]

BC41 M <

PRINTING AND PLACING
BARCODE STICKER
ON THE PLASTIC BAG

TH44 <

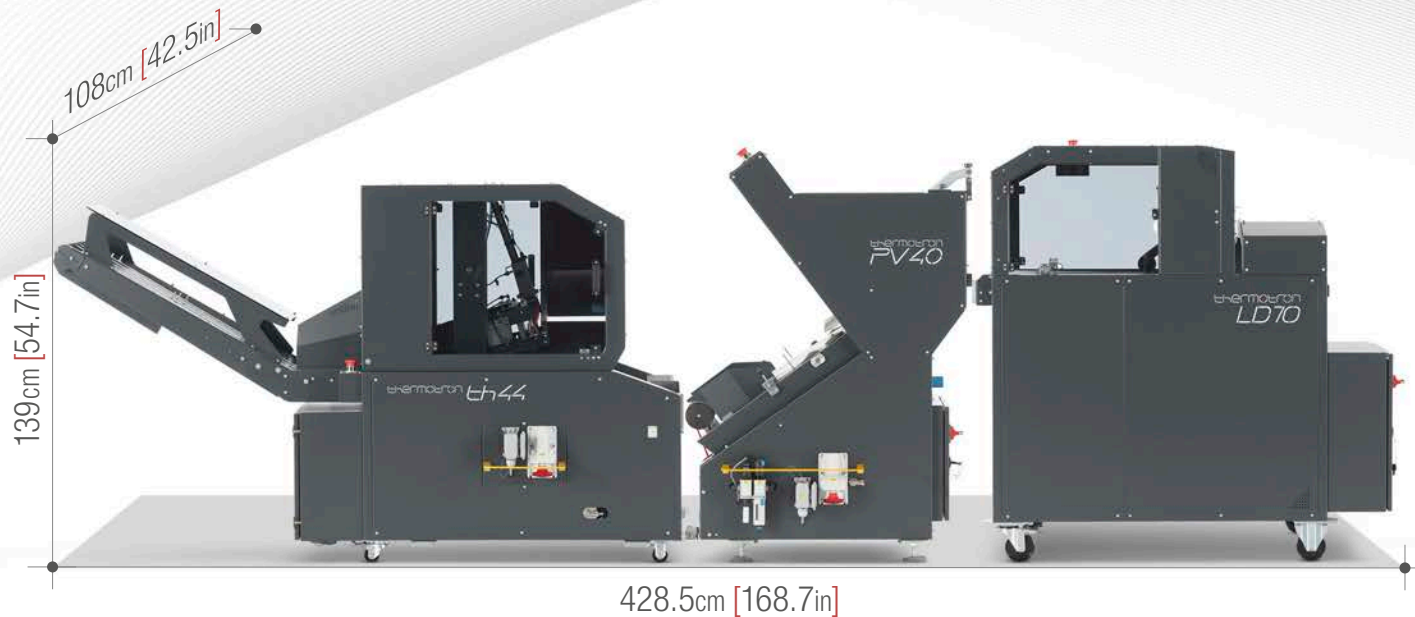
HEAT SEALING OF THE PLASTIC BAG
WHICH CONTAINS
THE FOLDED GARMENT

PV40 <

PACKAGING
OF FOLDED GARMENT
INSIDE A PLASTIC BAG

LD70 <

PLACEMENT
OF PRE-PRINTED LABEL
ON FOLDED GARMENT



TH44M <
HEAT SEALING
OF THE PLASTIC BAG
WHICH CONTAINS
THE FOLDED GARMENT

PV40 <
PACKAGING
OF FOLDED GARMENT
INSIDE A PLASTIC BAG

LD70 <
PLACEMENT
OF PRE-PRINTED LABEL
ON FOLDED GARMENT

108cm [42.5in]
130cm [51.2in]



435.5cm [171.5in]

BC41 M <

PRINTING AND PLACING
BARCODE STICKER
ON THE PLASTIC BAG

TH44 <

HEAT SEALING OF THE PLASTIC BAG
WHICH CONTAINS
THE FOLDED GARMENT

PV40 <

PACKAGING
OF FOLDED GARMENT
INSIDE A PLASTIC BAG



TH44M <

HEAT SEALING OF THE PLASTIC BAG
WHICH CONTAINS
THE FOLDED GARMENT

PV40 <

PACKAGING
OF FOLDED GARMENT
INSIDE A PLASTIC BAG



BC41M <
PRINTING AND PLACING
BARCODE STICKER
ON THE PLASTIC BAG

TH44 <
HEAT SEALING OF THE PLASTIC BAG
WHICH CONTAINS
THE FOLDED GARMENT