

# STATION 1

*STP1000*

AUTOMATIC  
FOLDING MACHINE

*LD70*

AUTOMATIC LABEL DISPENSER  
& ATTACHING MACHINE

*PV40*

AUTOMATIC  
BAGGING MACHINE

*KL60*

AUTOMATIC  
SEALING MACHINE

*BC41*

AUTOMATIC LABEL PRINTING  
& ATTACHING MACHINE

139cm (54.7in)  
124cm (48.81in)

838.5 (330in)

*BC41*  
AUTOMATIC LABEL PRINTING  
& ATACHING MACHINE

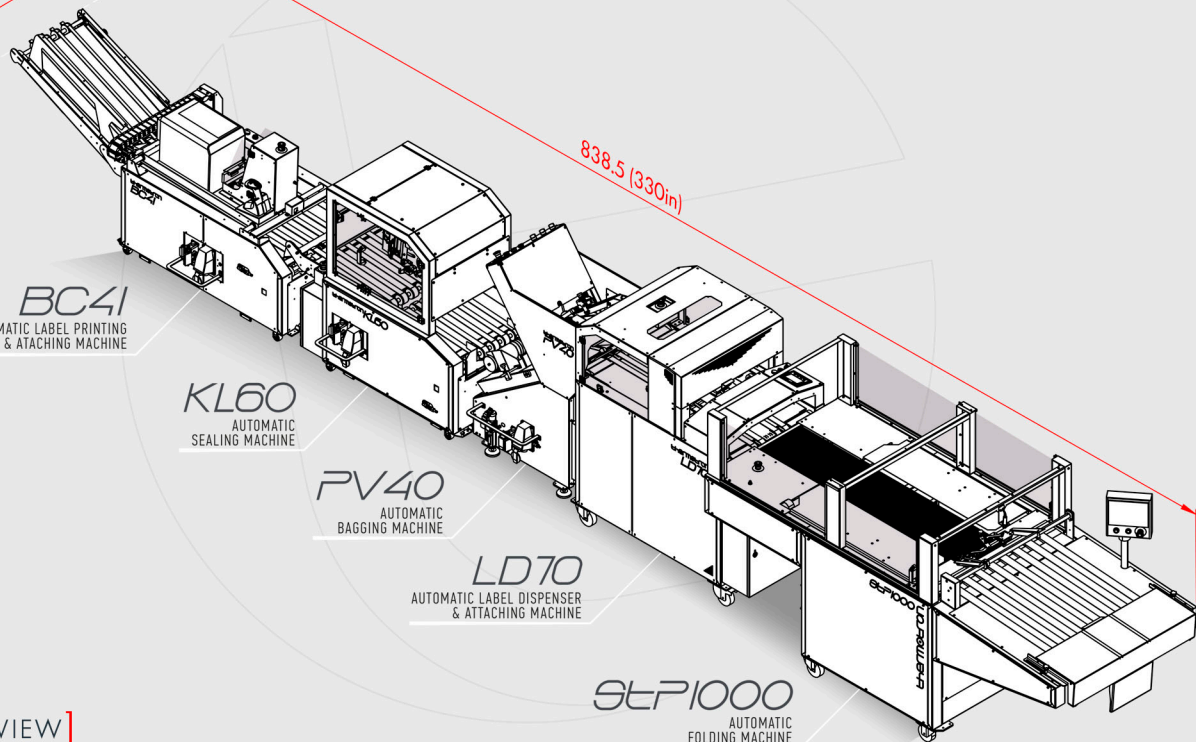
*KL60*  
AUTOMATIC  
SEALING MACHINE

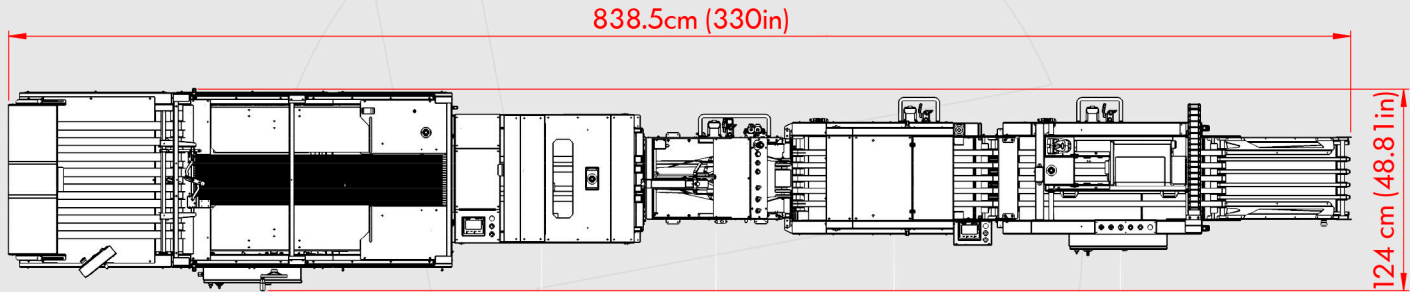
*PV40*  
AUTOMATIC  
BAGGING MACHINE

*LD70*  
AUTOMATIC LABEL DISPENSER  
& ATACHING MACHINE

*STP1000*  
AUTOMATIC  
FOLDING MACHINE

[ ISOMETRIC VIEW ]





*SLP1000*  
AUTOMATIC  
FOLDING MACHINE

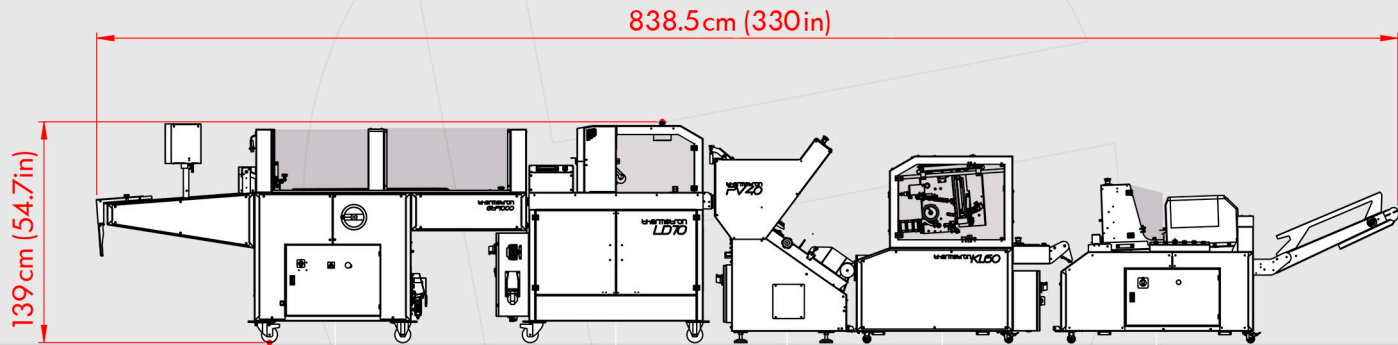
*LD70*  
AUTOMATIC LABEL DISPENSER  
& ATTACHING MACHINE

*PV40*  
AUTOMATIC  
BAGGING MACHINE

*KL60*  
AUTOMATIC  
SEALING MACHINE

*BC41*  
AUTOMATIC LABEL PRINTING  
& ATTACHING MACHINE

[TOP VIEW]



*STP1000*  
AUTOMATIC  
FOLDING MACHINE

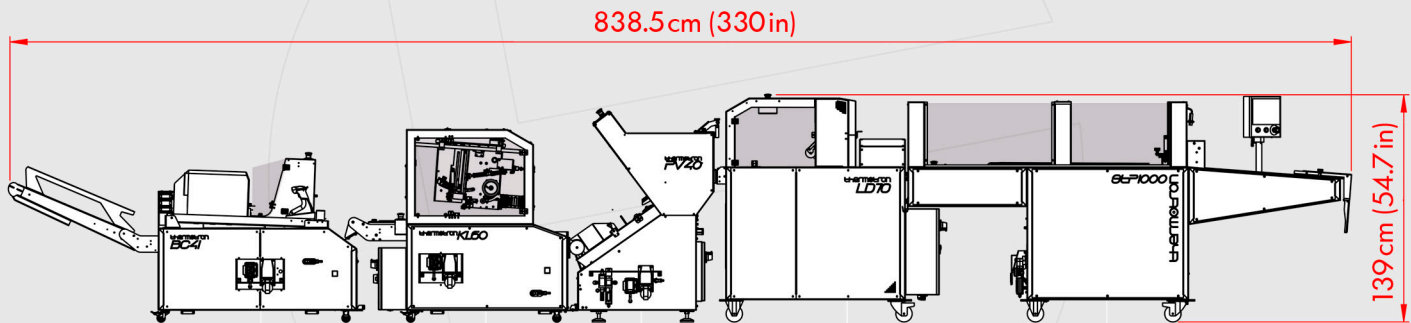
*LD70*  
AUTOMATIC LABEL DISPENSER  
& ATTACHING MACHINE

*PV40*  
AUTOMATIC  
BAGGING MACHINE

*KL60*  
AUTOMATIC  
SEALING MACHINE

*BC41*  
AUTOMATIC LABEL PRINTING  
& ATTACHING MACHINE

[RIGHT VIEW]



*BC41*  
AUTOMATIC LABEL PRINTING  
& ATACHING MACHINE

*KL60*  
AUTOMATIC  
SEALING MACHINE

*PV40*  
AUTOMATIC  
BAGGING MACHINE

*LD70*  
AUTOMATIC LABEL DISPENSER  
& ATACHING MACHINE

*STP1000*  
AUTOMATIC  
FOLDING MACHINE

[LEFT VIEW]