

## STATION 2

*STP1000*  
AUTOMATIC  
FOLDING MACHINE

*LD70*  
AUTOMATIC LABEL DISPENSER  
& ATTACHING MACHINE

*PV40*  
AUTOMATIC  
BAGGING MACHINE

*th44*  
AUTOMATIC  
HEAT-SEALING MACHINE

*BC41*  
AUTOMATIC LABEL PRINTING  
& ATTACHING MACHINE

124cm (48.81in)  
139cm (54.7in)

838.5 (330in)

**BC41**  
AUTOMATIC LABEL PRINTING  
& ATACHING MACHINE

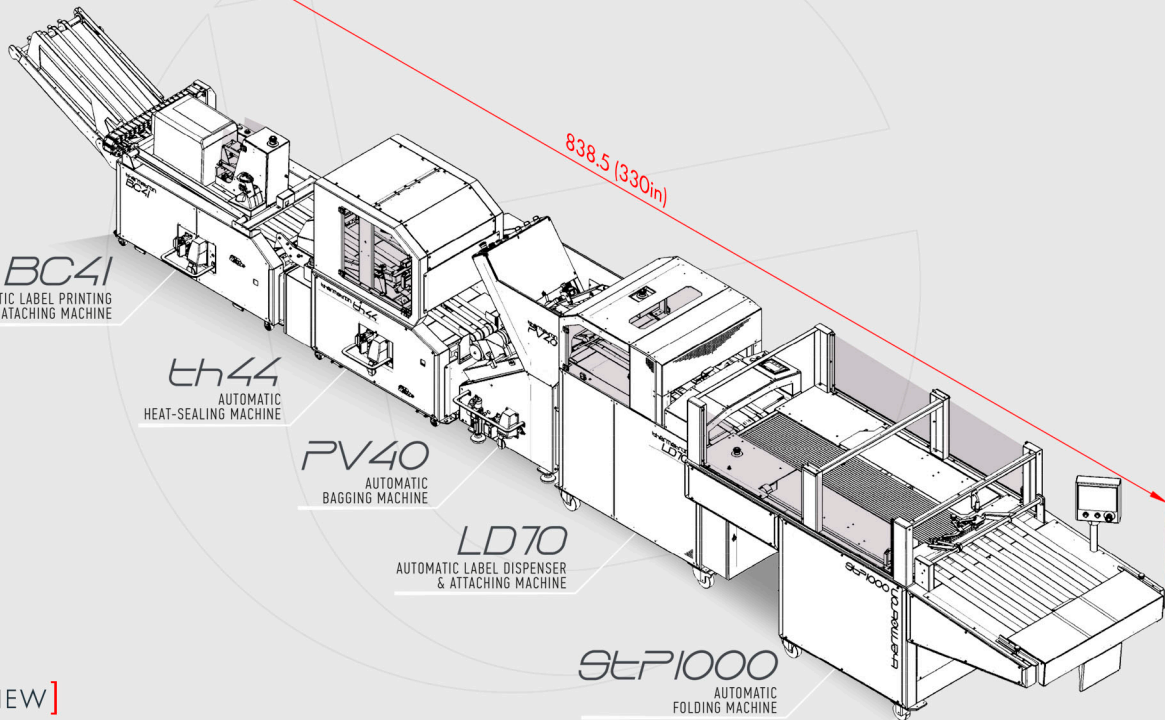
**th44**  
AUTOMATIC  
HEAT-SEALING MACHINE

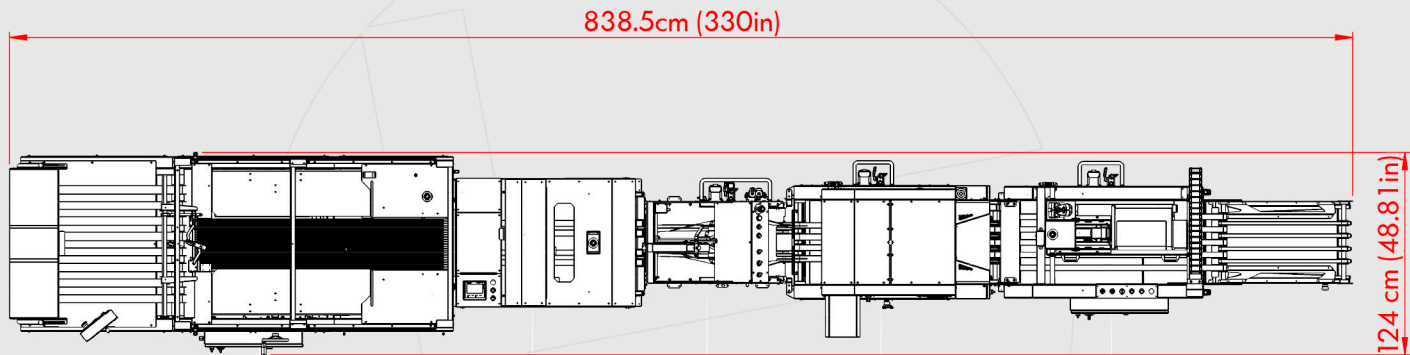
**PV40**  
AUTOMATIC  
BAGGING MACHINE

**LD70**  
AUTOMATIC LABEL DISPENSER  
& ATACHING MACHINE

**STP1000**  
AUTOMATIC  
FOLDING MACHINE

[ ISOMETRIC VIEW ]





*STP1000*  
AUTOMATIC  
FOLDING MACHINE

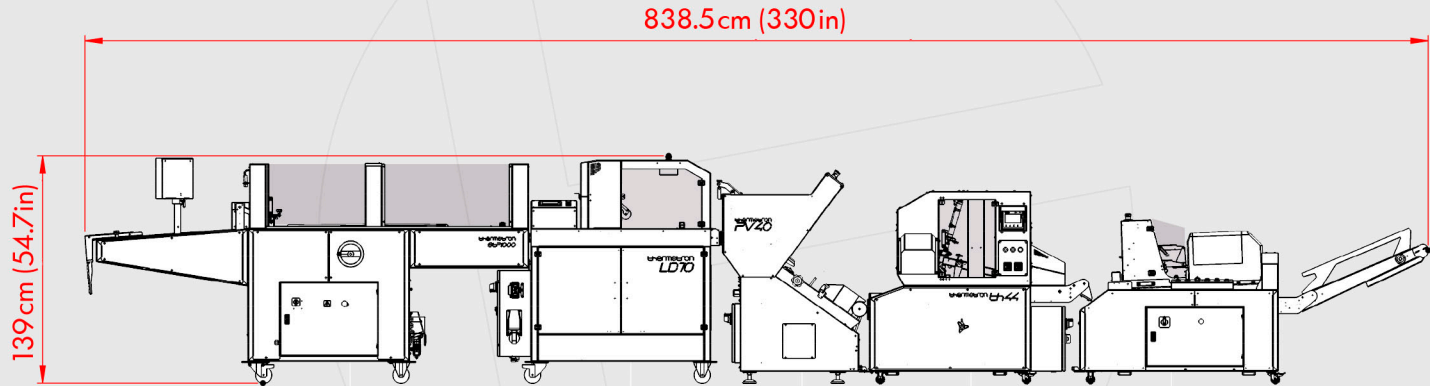
*LD70*  
AUTOMATIC LABEL DISPENSER  
& ATTACHING MACHINE

*PV40*  
AUTOMATIC  
BAGGING MACHINE

*th44*  
AUTOMATIC  
HEAT-SEALING MACHINE

*BC41*  
AUTOMATIC LABEL PRINTING  
& ATTACHING MACHINE

[TOP VIEW]



838.5 cm (330 in)

139 cm (54.7 in)

*STP1000*  
AUTOMATIC  
FOLDING MACHINE

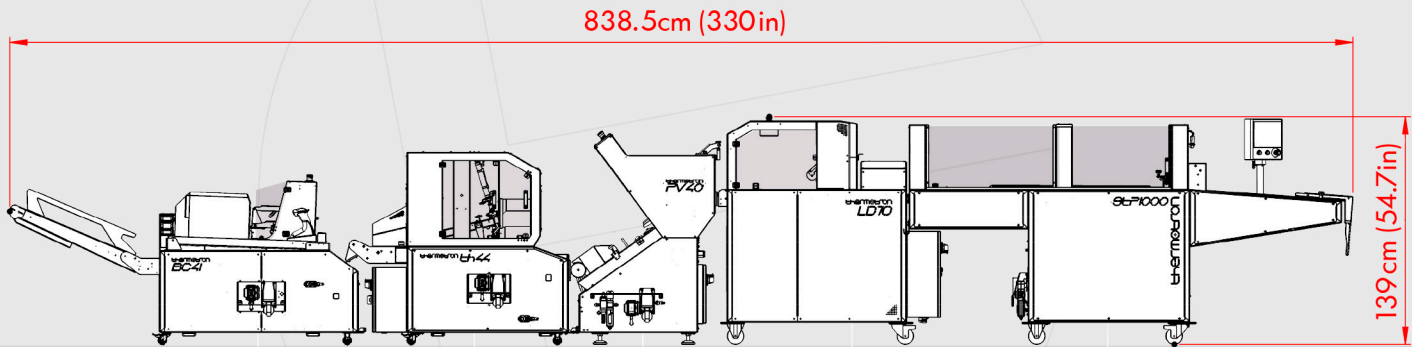
*LD70*  
AUTOMATIC LABEL DISPENSER  
& ATTACHING MACHINE

*PV40*  
AUTOMATIC  
BAGGING MACHINE

*th44*  
AUTOMATIC  
HEAT-SEALING MACHINE

*BC41*  
AUTOMATIC LABEL PRINTING  
& ATTACHING MACHINE

[RIGHT VIEW]



*BC41*  
AUTOMATIC LABEL PRINTING  
& ATTACHING MACHINE

*th44*  
AUTOMATIC  
HEAT-SEALING MACHINE

*PV40*  
AUTOMATIC  
BAGGING MACHINE

*LD70*  
AUTOMATIC LABEL DISPENSER  
& ATTACHING MACHINE

*STP1000*  
AUTOMATIC  
FOLDING MACHINE

[LEFT VIEW]