

STATION 3

STP1000

AUTOMATIC
FOLDING MACHINE

LD70

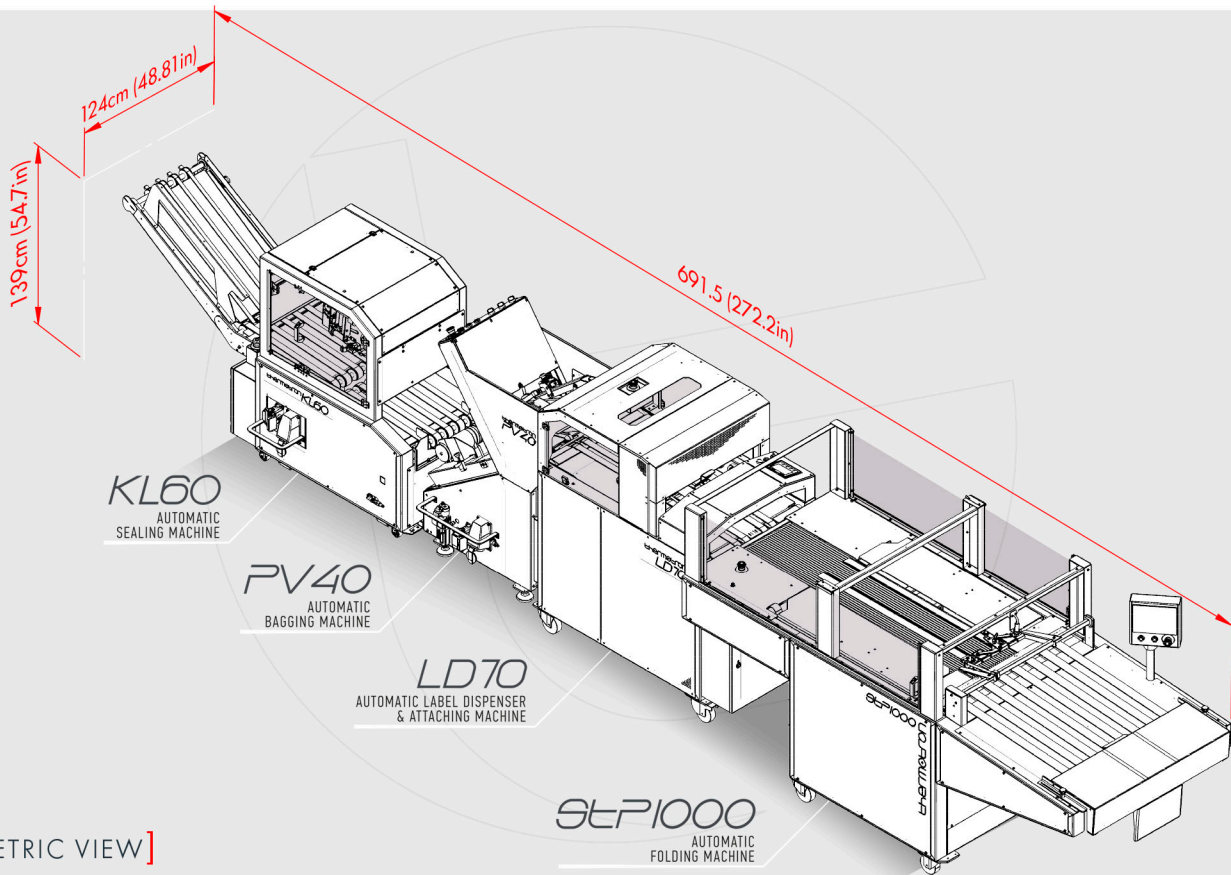
AUTOMATIC LABEL DISPENSER
& ATTACHING MACHINE

PV40

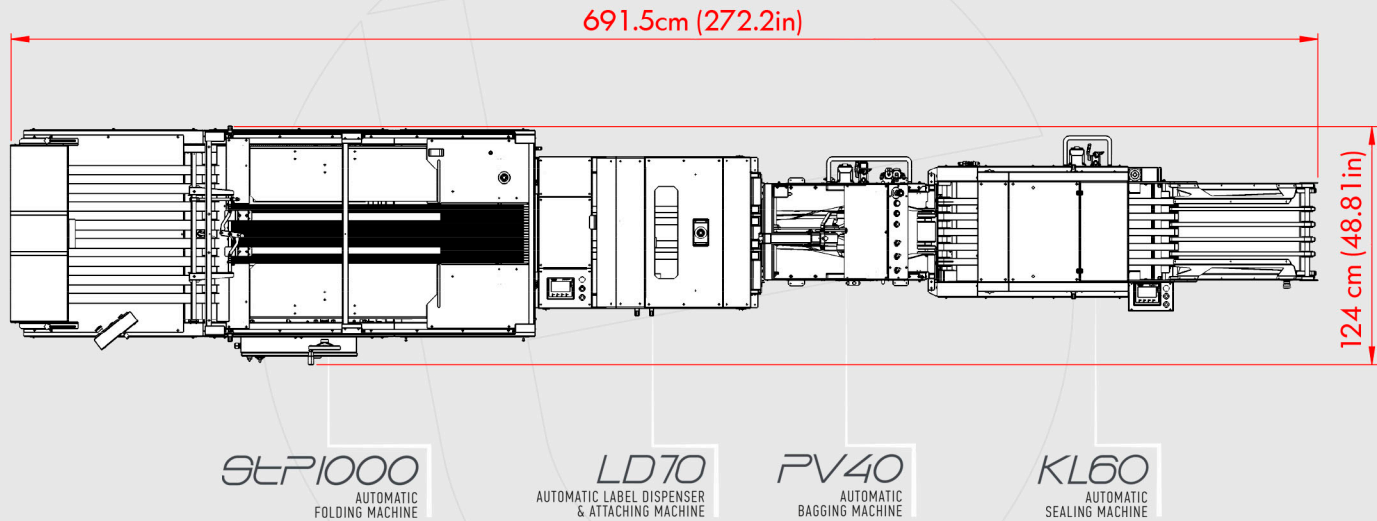
AUTOMATIC
BAGGING MACHINE

KL60

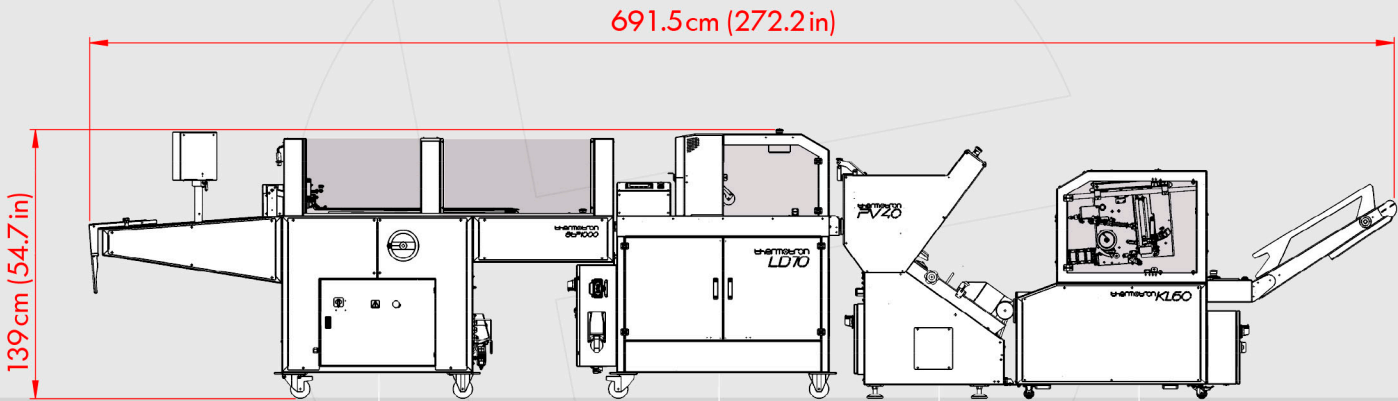
AUTOMATIC
SEALING MACHINE



[ISOMETRIC VIEW]



[TOP VIEW]



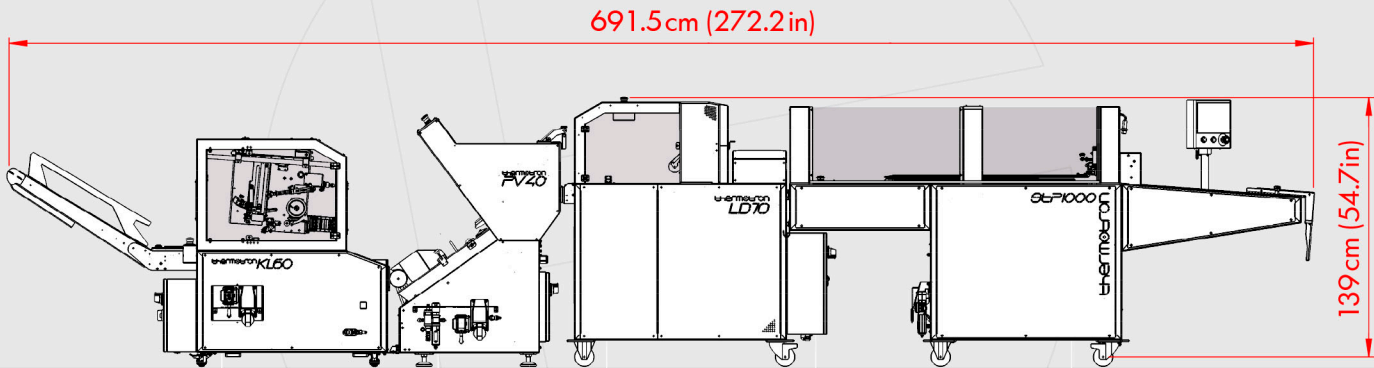
STP1000
AUTOMATIC
FOLDING MACHINE

LD70
AUTOMATIC LABEL DISPENSER
& ATTACHING MACHINE

PV40
AUTOMATIC
BAGGING MACHINE

KL60
AUTOMATIC
SEALING MACHINE

[RIGHT VIEW]



691.5 cm (272.2 in)

139 cm (54.7 in)

BC41
AUTOMATIC LABEL PRINTING
& ATACHING MACHINE

th44
AUTOMATIC
HEAT-SEALING MACHINE

PV40
AUTOMATIC
BAGGING MACHINE

LD70
AUTOMATIC LABEL DISPENSER
& ATACHING MACHINE

STP1000
AUTOMATIC
FOLDING MACHINE

[LEFT VIEW]